

LV 9911

Multi-Flanged Wafer Pattern Butterfly Valve - EPDM Liner

Epoxy Coated Ductile Iron Body, Stainless Steel 316 Disc, EPDM Liner, Locking Lever upto 12", Gearbox Operation Available for All Sizes, ISO 5211 Top Works for Direct Mount of Electric/Pneumatic Actuator, complies with 97/23/CE (PED) Directive CE 1115.

Pressure/Temperature		
Pressure	1½" to 12"	PN16
	14" to 24"	PN10
Temperature	-10°C to 120°C	

Material List	
Body	Epoxy Coated Ductile Iron
Disc	Stainless Steel
Liner	EPDM
Shaft	Stainless Steel
Bushing	PTFE
Washer	Galvanized Carbon Steel
Circlip ISO 3075	Steel
O-Ring	Viton
Lever	Aluminium upto 6" Ductile Iron 8" and above
Bolts	Galvanized Carbon Steel

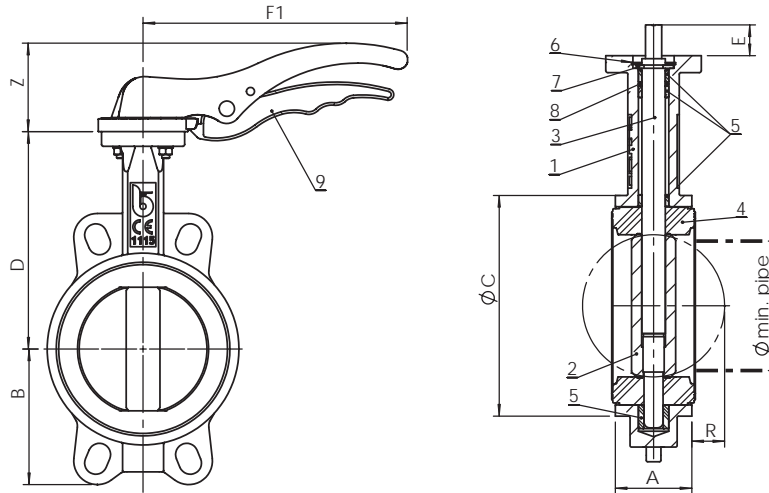


Continued on Page 2

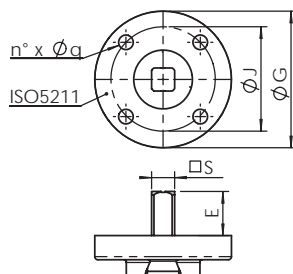
LV 9911

Multi-Flanged Wafer Pattern Butterfly Valve - EPDM Liner

1½" to 10" Lever Operated



Dimensions								
Size	A	ØC	D	B	F1	Z	R	Ø min pipe
1½"	33	82	116	63	170	50	5	27
2"	43	89	126	62	170	50	5	31
2½"	46	102	136	69	170	50	9	45
3"	46	118	150	90	206	69	17	65
4"	52	150	170	106	206	69	26	90
5"	56	174	180	119	285	90	34	110
6"	56	205	200	131	285	90	50	146
8"	60	260	230	166	400	72	71	194
10"	68	318	266	202	530	72	91	241



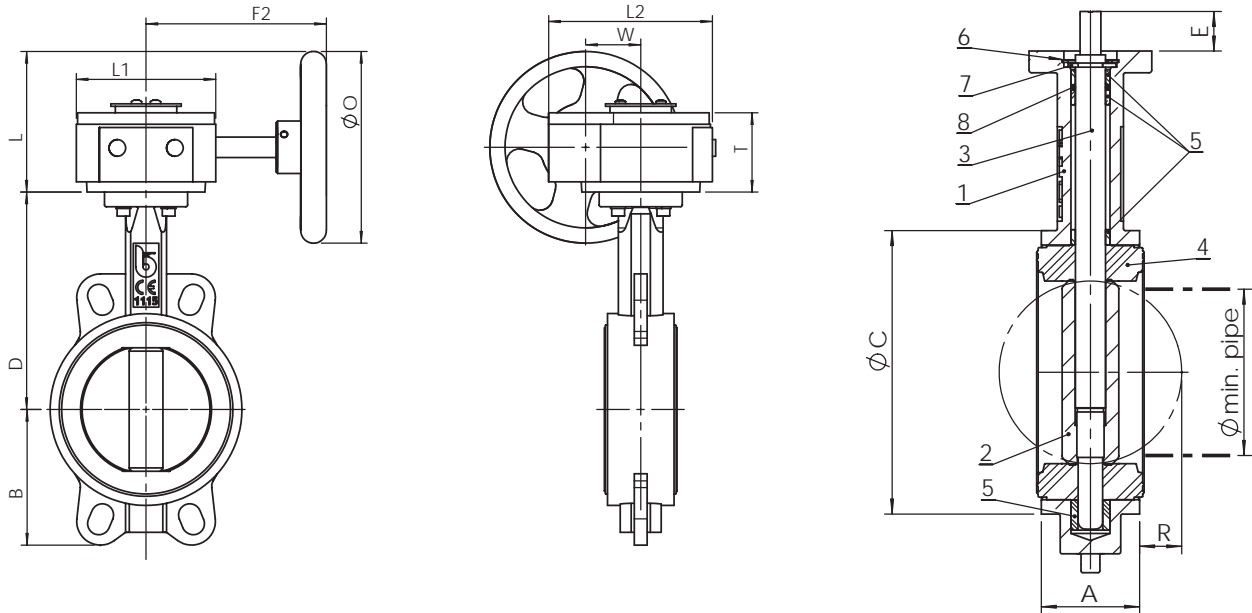
Dimensions						
Size	ISO	ØG	ØJ	n x Øq	S	E
1½"	F05	65	50	4 x 7	9	21
2"	F05	65	50	4 x 7	9	21
2½"	F05	65	50	4 x 7	9	21
3"	F05	65	50	4 x 7	11	21
4"	F05	65	50	4 x 7	11	21
5"	F07	90	70	4 x 9	14	27
6"	F07	90	70	4 x 9	14	27
8"	F10	125	102	4 x 11	17	27
10"	F12	150	125	4 x 13	27	27

Continued on Page 3

LV 9911

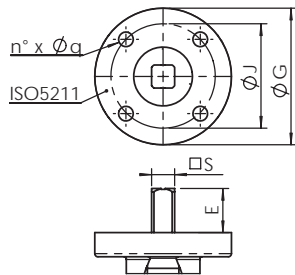
Multi-Flanged Wafer Pattern Butterfly Valve - EPDM Liner

1½" to 10" Gearbox Operated



Dimensions

Size	A	ØC	D	B	F2	L	T	L1	L2	W	ØO	R	Ø min pipe
1½"	33	82	116	63	170	102.5	65	110	130	45	150	5	27
2"	43	89	126	62	170	102.5	65	110	130	45	150	5	31
2½"	46	102	136	69	170	102.5	65	110	130	45	150	9	45
3"	46	118	150	90	170	102.5	65	110	130	45	150	17	65
4"	52	150	170	106	170	102.5	65	110	130	45	150	26	90
5"	56	174	180	119	170	102.5	65	110	130	45	150	34	110
6"	56	205	200	131	170	102.5	65	110	130	45	150	50	146
8"	60	260	230	166	235	190	78	155	176	63	300	71	194
10"	68	318	266	202	226	190	80	170	195	81	300	91	241



Dimensions

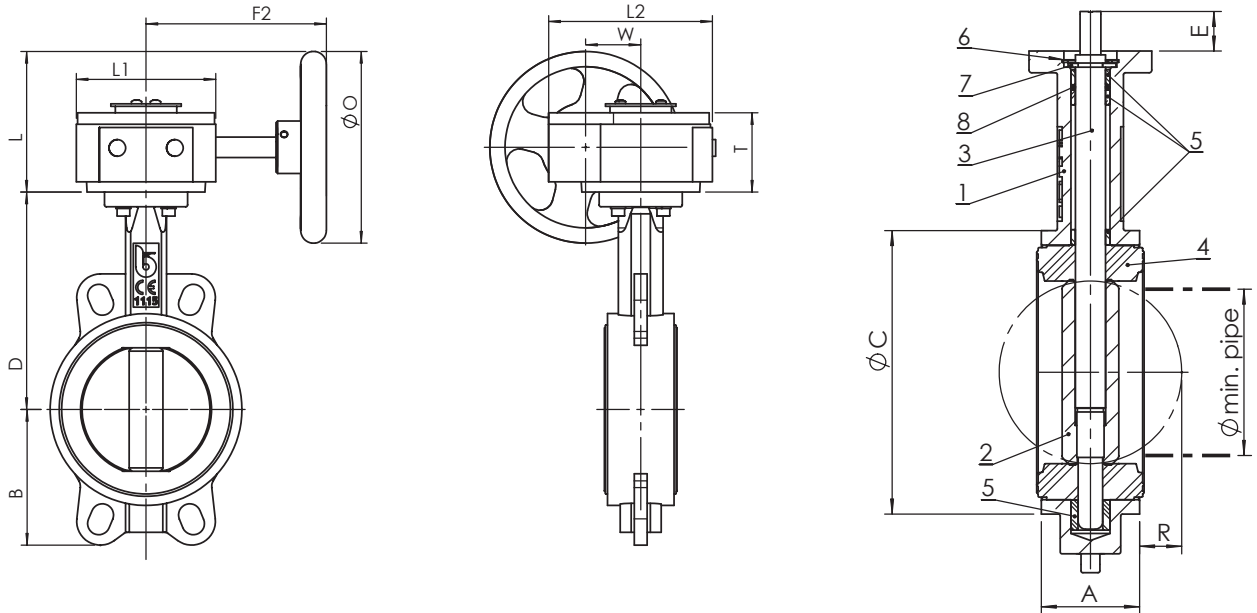
Size	ISO	ØG	ØJ	n x Øq	S	E
1½"	F05	65	50	4 x 7	9	21
2"	F05	65	50	4 x 7	9	21
2½"	F05	65	50	4 x 7	9	21
3"	F05	65	50	4 x 7	11	21
4"	F05	65	50	4 x 7	11	21
5"	F07	90	70	4 x 9	14	27
6"	F07	90	70	4 x 9	14	27
8"	F10	125	102	4 x 11	17	27
10"	F12	150	125	4 x 13	27	27

Continued on Page 4

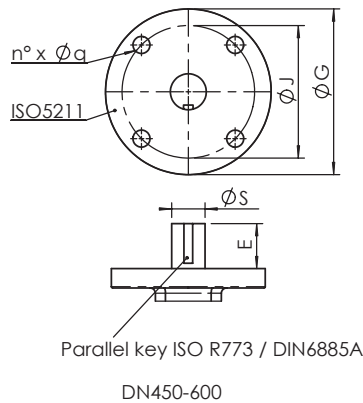
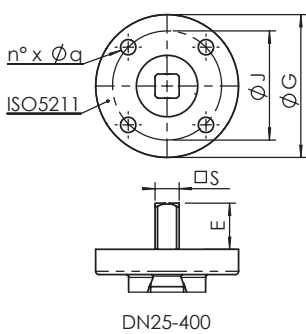
LV 9911

Multi-Flanged Wafer Pattern Butterfly Valve - EPDM Liner

12" to 24" Gearbox Operated



Dimensions													
Size	A	ØC	D	B	F2	L	T	L1	L2	W	ØO	R	Ø min pipe
12"	78	376	292	235	226	190	80	170	195	81	300	112	291
14"	78	406	335	257	226	190	80	170	195	81	300	128	324
16"	102	471	360	292	226	190	80	170	195	81	300	144	379
18"	114	539	422	318	216	183	80	151	188	80	285	163	428
20"	127	594	480	355	256	311	125	214	275	168	285	182	475
24"	154	695	562	444	285	386	136	262	324	293	385	219	573



Dimensions							
Size	ISO	ØG	ØJ	n° x Øq	□S	E	ØS
12"	F12	150	125	4 x 13	27	27	
14"	F12	150	125	4 x 13	27	27	
16"	F12	150	125	4 x 13	27	27	
18"	F14	175	140	4 x 18		51.2	38
20"	F14	175	140	4 x 18		64.2	41.15
24"	F16	210	165	4 x 22		70.2	50.65