

LV 2940

Brass Pressure Reducing Valve

Compact type, BSPP Female Ends, Brass Nickel Plated Body

Pressure/Temperature Details

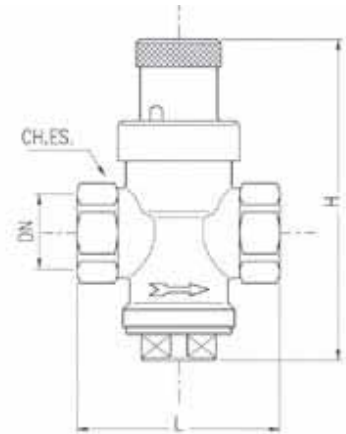
Max Inlet	15 Bar
Max Outlet	1 - 4 Bar
Temperature	-10°C to 80°C

Material List

Body	Brass CW617N UNI EN 12164
Internals	Brass CW614N UNI EN 12164
Seat	Brass CW617N UNI EN 12164
Stem	Brass CW614N UNI EN 12164
O-rings	NBR
Plastic Parts	Ultramid A3K (BASF)

Dimensions

DN	H	L	Kg
1/2"	93	60	0.35
3/4"	93	60	0.35



LV 2940

Brass Pressure Reducing Valve

DISCHARGE AND HEADLOSS CHART:

