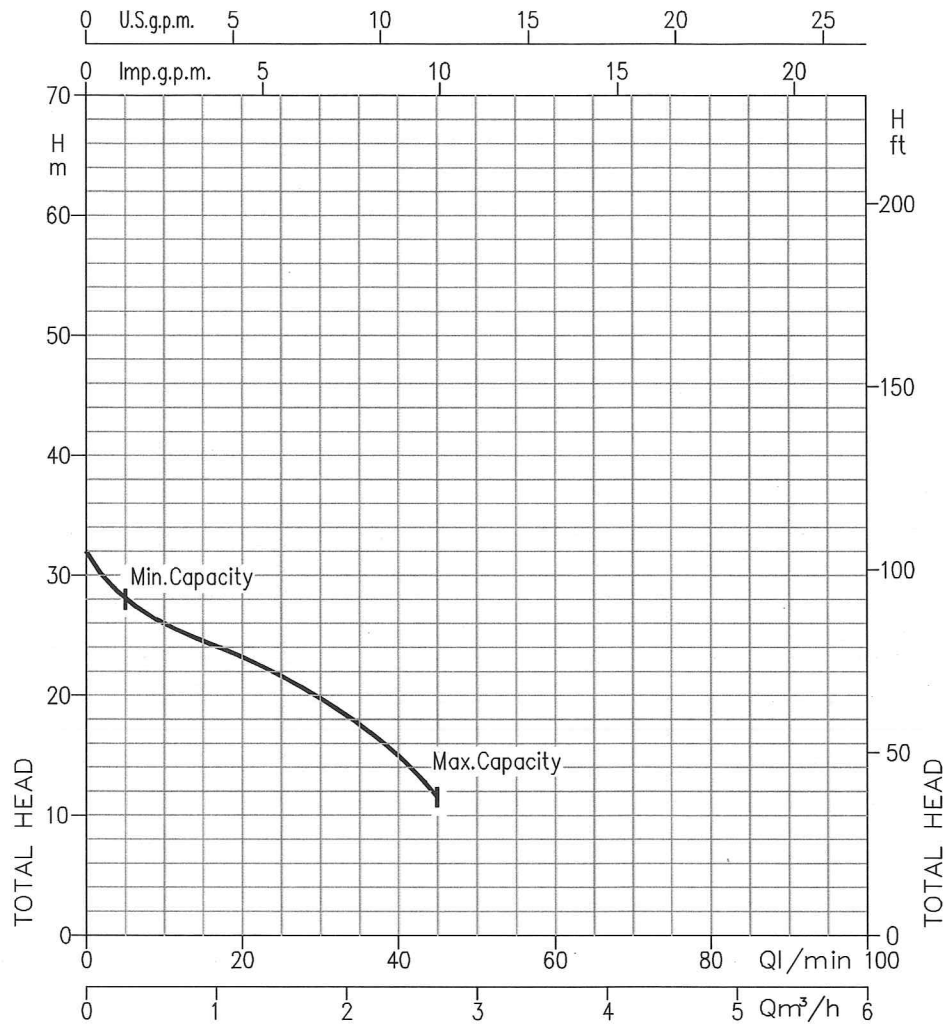
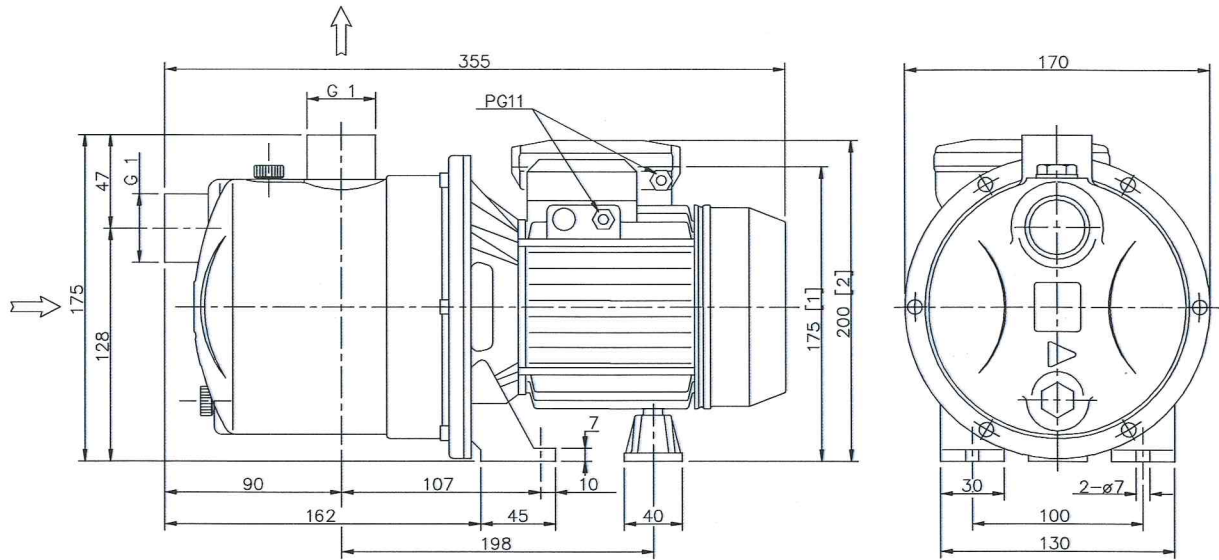


PUMP CHARACTERISTIC PERFORMANCE

JESX 5 (0.37 kW) SYNCHRONOUS SPEED : 3000 min⁻¹



Temperature of water: 20°C
 Impeller diameter = 104 mm
 Applicable standard of test: ISO 9906 – Annex A



[1] = Only for three phase
[2] = Only for single phase