

ABS submersible drainage pump J 12

GB 50 Hz

Specification

Electric submersible pump.
 Maximum submergence: 20 m. • Protection class IP 68.
 Max temperature of pumped medium at max power input and continuous duty 40°C.
 Max medium density 1100 kg/m³. • pH of the pumped medium 5-8.
 Strainer hole 6.5 x 22 mm. • Max number of starts 30/hour.

J 12 W/WKS* Medium head, single-phase.

J 12 D/DKS* Medium head, 3-phase.

* option: built in float switch excl. 500 V

Electric Motor

Single-phase induction motor with built-in capacitor, 50Hz.
 Service factor 1.1. Class F insulation.
 Motor rating P₂: 0.9 kW. Speed: 2750 rpm

Voltage, V	110	230
Nominal current, A	10.4	5.2

3-phase squirrel-cage induction motor, 50 Hz.
 Service factor 1.1. Class F insulation.
 Motor rating P₂: 1.0 kW. Speed: 2800 rpm
 D.O.L. start with built-in contactor.

Voltage, V	230	400	500
Nominal current, A	4.0	2.3	1.9

Power Cable

20 m type S1BN8-F:
 4 x 1.5 sq.mm. (3-phase)
 3 x 1.5 sq.mm. (single-phase)

Motor Protection

Built-in thermal switches in the stator winding (140°C, ±5).

Shaft Seal

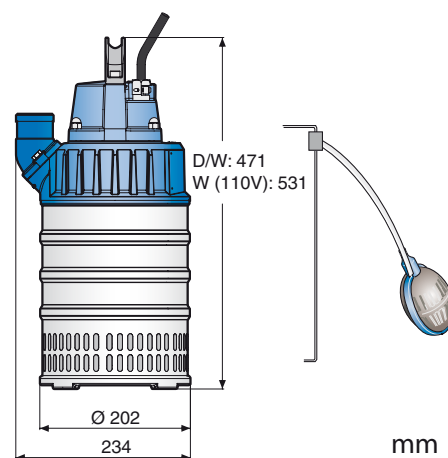
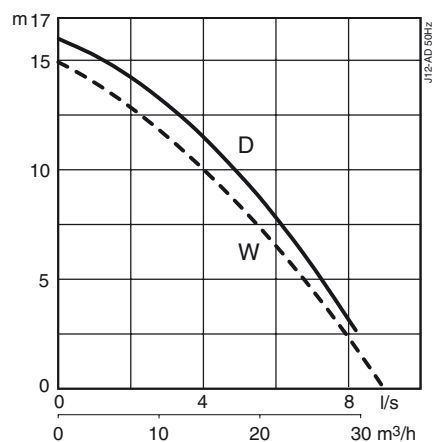
Double mechanical seal in oil bath.
 Primary seal: Silicon carbide on silicon carbide.
 Secondary seal: Silicon carbide on silicon carbide.

Bearings

Upper bearing: Single-row deep groove ball bearing.
 Lower bearing: Single-row deep groove ball bearing.

Discharge Connections

1 1/2", 2" (standard), 2 1/2", 3" hose connections.
 2", 2 1/2", 3" B.S.P. threaded connections.



Weight (without cable)

16.0 kg

Options and Accessories

Zinc anodes • Surface protection coating • Bottom suction adapter
 Series connection • Starter and control units • Floatation ring
 Carry case • Repair kit
 Discharge connection accessories and hose

Materials		EN	ASTM
Castings:	Aluminium	EN 1706: AC-43100	ASTM AISi10mg
Casing and fasteners:	Stainless steel	10088:X5CrNi18-10 [1.4301]	AISI 304
Shaft:	Stainless steel	10088:X20Cr13 [1.4021]	AISI 420
Impeller:	White cast iron	EN-GJN-HV600(XCr23)	ASTM A 532: Alloy III A
Wear parts / O-rings:	Nitrile rubber		