



DATA SHEET

07/10/2013

Page 1 / 3

DAB PUMPS S.p.A.
Via Marco Polo, 14 - 35035 Mestrino (PD), Italy
Tel. +39 049 5125000 - Fax +39 049 5125950
www.dabpumps.com

Receiver

From

Company Name
Reference
Address
Phone
Fax
E-mail

Item n° :

60147200

Model :

E.SYBOX

Pump data

Pressure rating : 8 bar (800 kPa)
Min. fluid temperature : 0 °C
Max. fluid temperature : 40 °C
Max. Temperature operating : 50 °C

Requested data

Flow : 0.00 m³/h
Head : 0.00 m
Fluid : Water, pure
Fluid Temperature : 20 °C
Density : 998.3 kg/m³
Kinematic viscosity : 1.005 mm²/s
Vapor pressure : 100.00 kPa

Hydraulic data (duty point)

Flow :
Head :

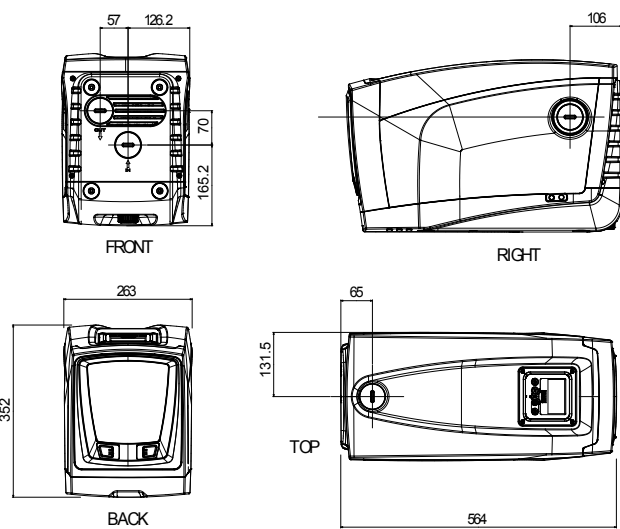
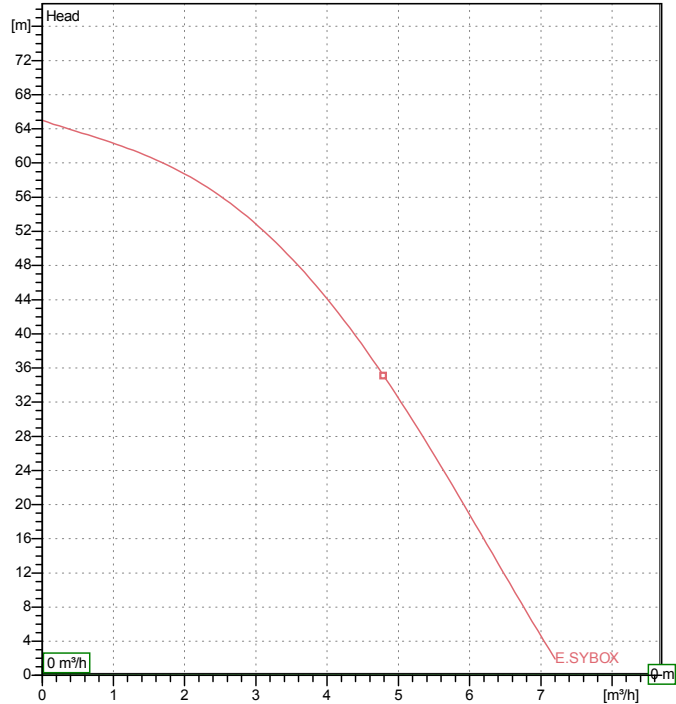
Motor data principal pump :

Brand: DAB
Nominal power P2: 1.55 kW
Rated speed: 3000 rpm
Rated voltage : 1~ 230 V 50 Hz
Nominal current : 11 A
Degree of protection : IP X4

Dimensions in mm

| | | | |
|--|--|--|--|
| | | | |
|--|--|--|--|

Curve tolerance according to ISO 9906



Weight : 24.8 kg

Pump connection

Suction side 1 " G / 8 bar (800 kPa)
Discharge side 1 " G / 8 bar (800 kPa)



PERFORMANCE CURVES

07/10/2013

Page 2 / 3

DAB PUMPS S.p.A.
Via Marco Polo, 14 - 35035 Mestrino (PD), Italy
Tel. +39 049 5125000 - Fax +39 049 5125950
www.dabpumps.com

Receiver

From

Company Name
Reference
Address
Phone
Fax
E-mail

E.SYBOX

Curve tolerance according to ISO 9906



Hydraulic data (duty point)

| | | | | |
|------------------------------------------|--------------------------------------------|------------------|---------------------------------|--------------------------|
| Suction side 1 " G 8 bar (800 kPa) | Discharge side 1 " G 8 bar (800 kPa) | Flow : 0 m³/h | Head : 0 m | Rated speed: 3000 rpm |
| Project | Project ID | Created by | Created on 07/10/2013 | |



DIMENSIONAL DRAWING

07/10/2013

Page 3 / 3

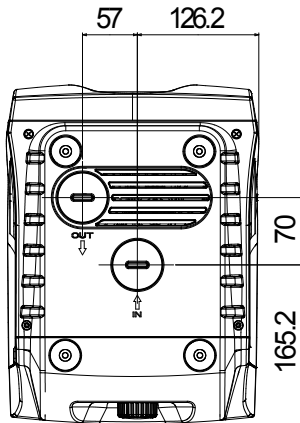
DAB PUMPS S.p.A.
Via Marco Polo, 14 - 35035 Mestrino (PD), Italy
Tel. +39 049 5125000 - Fax +39 049 5125950
www.dabpumps.com

Receiver

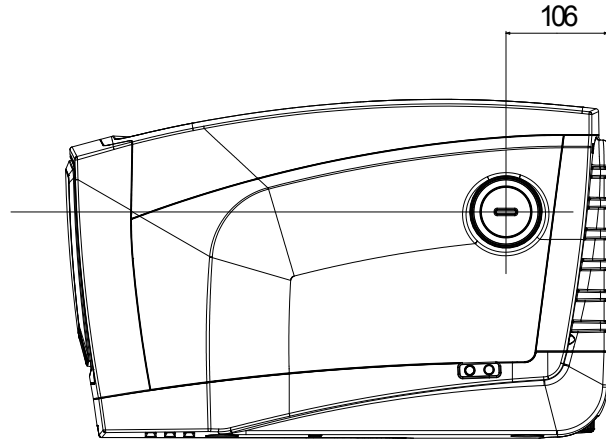
From

Company Name
Reference
Address
Phone
Fax
E-mail

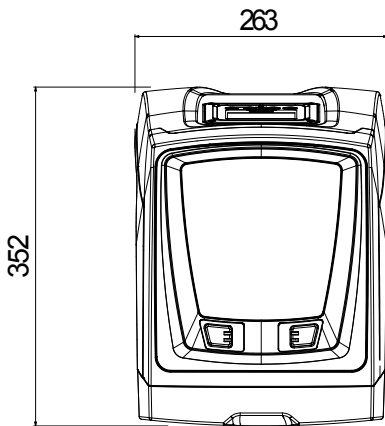
E.SYBOX



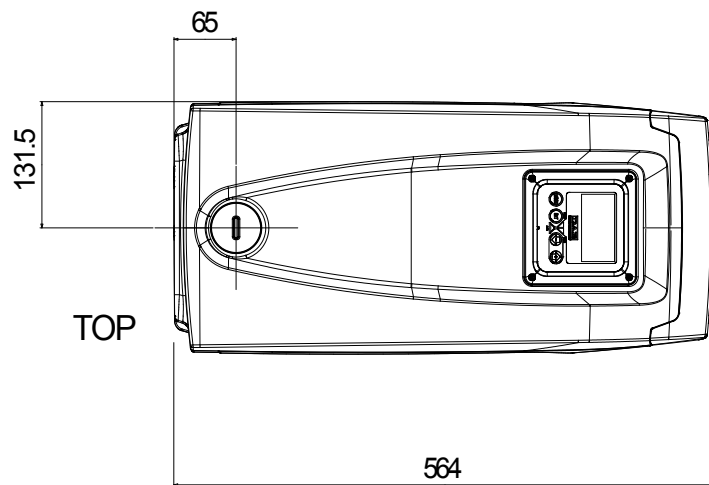
FRONT



RIGHT



BACK



TOP

Dimensions in mm

Pump connection

Suction
1 " G
8 bar (800 kPa)

Discharge
1 " G
8 bar (800 kPa)

Project

Project ID

Created by

Created on

07/10/2013