

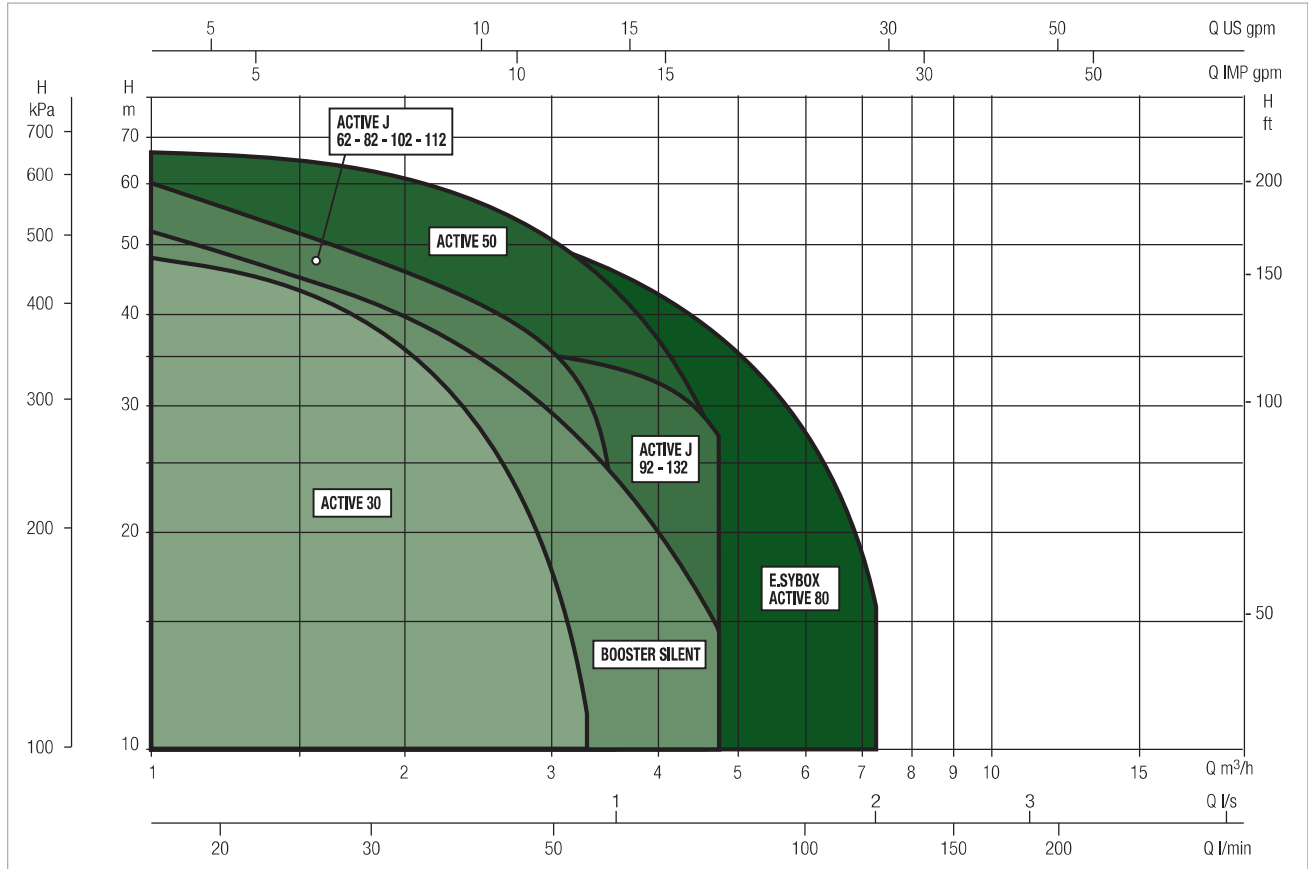
ACTIVE SYSTEM

AUTOMATIC ON/OFF PRESSURISATION SYSTEM

PERFORMANCE RANGE

The performance curves are based on kinematic viscosity values = 1 mm²/s and density equivalent to 1000 kg/m³. Curve tolerance according to ISO 9906.

GRAPHIC SELECTION TABLE

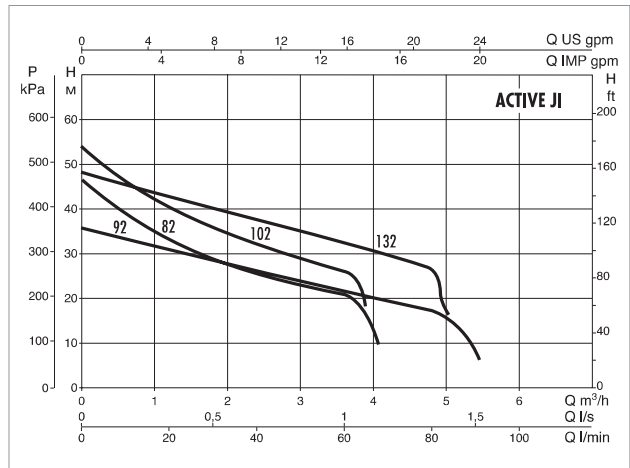
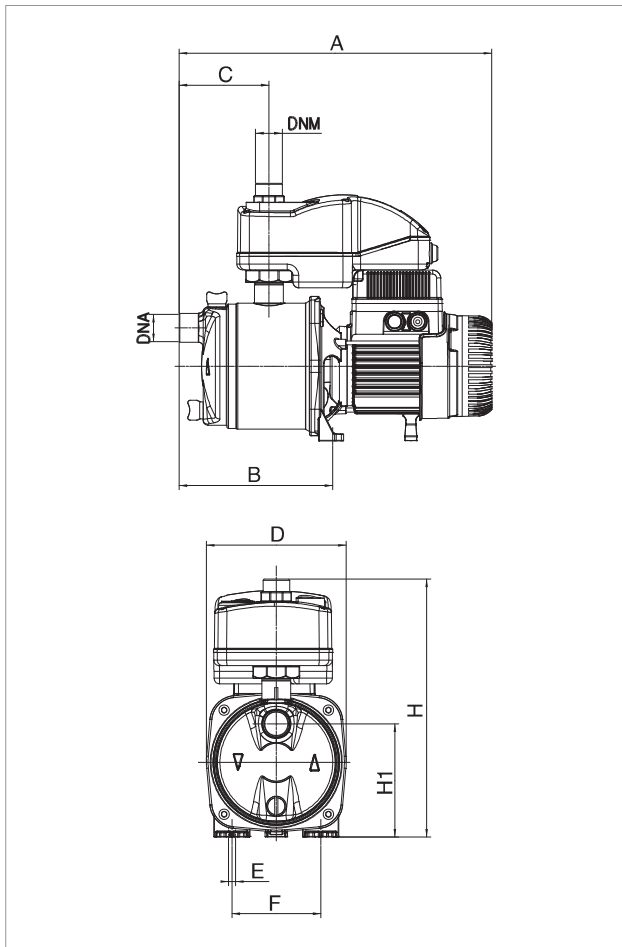


ACTIVE SYSTEM SELECTION TABLE

MODEL	Q												
	0	0.6	1.2	1.8	2.4	3.0	3.6	4.2	4.8	6	7.2		
	Q=m ³ /h	0	10	20	30	40	50	60	70	80	100	120	
ACTIVE J 62 M	H (m)	42.7	35	29.2	25.6	22.9	13						
ACTIVE J 82 M		47	40	34	30	26.2	23.5	20.3					
ACTIVE J 102 M		53.8	47	41	36.3	32.4	28.8	25.8					
ACTIVE J 112 M		61	54	47.8	42.8	38.8	34.8	20					
ACTIVE J 92 M		36.2	33.5	31	28.4	26	24	21.8	19.6	17.5			
ACTIVE J 132 M		48.3	45.6	42.8	40	37.6	35	32.5	30	27.2			
ACTIVE JI 82 M		47	40	34	30	26.2	23.5	20.3					
ACTIVE JI 102 M		53.8	47	41	36.3	32.4	28.8	25.8					
ACTIVE JI 112 M		61	54	47.8	42.8	38.8	34.8	20					
ACTIVE JI 92 M		36.2	33.5	31	28.4	26	24	21.8	19.6	17.5			
ACTIVE JI 132 M		48.3	45.6	42.8	40	37.6	35	32.5	30	27.2			
ACTIVE JC 102 M		53.8	47	41	36.3	32.4	28.8	25.8					
ACTIVE JC 132 M		48.3	45.6	42.8	40	37.6	35	32.5	30	27.2			
ACTIVE E 30/50 M		42.2	40.2	38.2	36.2	33.8	30	24.8	19.5	14			
ACTIVE EI 25/30 M		34.4	31.7	28.3	23.5	17.5	11						
ACTIVE EI 30/30 M		46	42.2	37.8	31.2	23.3	14.3						
ACTIVE EI 40/30 M		57	52.7	47	38.8	29	17.7						
ACTIVE EI 30/50 M		42.2	40.2	38.2	36.2	33.8	30	24.8	19.5	14			
ACTIVE EI 40/50 M		57.7	55.3	52.8	50.1	47.1	42.7	35.8	28	19.2			
ACTIVE EI 50/50 M		72	68.5	65.5	62.1	58.2	52.2	48	43.6	34.5	26		
ACTIVE EI 25/80 M		34		33	32	30.5	28.5	26	23.5	21	14.5	6.5	
ACTIVE EI 30/80 M		47		46.5	45	43.5	41	38	34.5	31	23	12	
ACTIVE EI 40/80 M		59	58	57	56	54	51	47.5	43.8	39.5	29.5	16	

ACTIVE JI - AUTOMATIC ON/OFF PRESSURISATION SYSTEM FOR DOMESTIC WATER SUPPLY

Liquid temperature range pumped: from 0 °C to +40 °C - Maximum ambient temperature: +40°C



The performance curves are based on the kinematic viscosity values = 1 mm²/s and density equivalent to 1000 kg/m³. Curve tolerance according to ISO 9906.

MODEL	ELECTRICAL DATA						
	POWER SUPPLY 50 Hz	P1 MAX kW	P2 NOMINAL		In A	CAPACITOR	
			kW	HP		µF	Vc
ACTIVE JI 82 M	1x220-240 V ~	0.85	0.6	0.8	3.8	12.5	450
ACTIVE JI 102 M	1x220-240 V ~	1.13	0.75	1	5.1	16	450
ACTIVE JI 92 M	1x220-240 V ~	0.94	0.75	1	4.2	14	450
ACTIVE JI 112 M	1x220-240 V ~	1.4	1	1.36	6	25	450
ACTIVE JI 132 M	1x220-240 V ~	1.49	1	1.36	6.6	25	450

MODEL	A	B	C	D	E	F	H	H1	DNA GAS	DNM GAS	PACK DIMENSIONS			GROSS WEIGHT Kg
											L/A	L/B	C	
											ACTIVE JI 82 M	390	192	
ACTIVE JI 102 M	390	192	112	174	9	111	322	141	1"	1"	476	234	348	12.50
ACTIVE JI 92 M	390	192	112	174	9	111	322	141	1"	1"	476	234	348	11.70
ACTIVE JI 112 M	390	192	112	174	9	111	322	141	1"	1"	476	234	348	13.70
ACTIVE JI 132 M	390	192	112	174	9	111	322	141	1"	1"	476	234	348	13.50