

LV 9830
LV 9832
LV 9838
LV 9839

Bellows

LV9830 - Flanged EPDM
LV9832 - Flanged NBR
LV9838 - Screwed EPDM
LV9839 - Screwed NBR

Pressure/Temperature Ratings

Pressure	PN16 Rated	
Temperature	EPDM	-10°C to 100°C
	NBR	-10°C to 80°C

Dimensions - Screwed

Size(T)	A1	P	Kg	COM	EXT	LAT	ANG
¾"	165	16	0.58	22	6	22	30
1"	175	16	0.9	22	6	22	30
1¼"	186	21	1.25	22	6	22	30
1½"	186	34	1.72	22	6	22	30
2"	200	40	2.75	22	6	22	20
2½"	218	54	3.6	22	6	22	15
3"	260	62	5.2	22	6	22	15

Dimensions - Flanged

Size	A	F	C	n x D	Kg	COM	EXT	LAT	ANG
2"	99	165	125	4 X 18	4.2	8	4	8	15
2½"	108	185	145	4 X 18	4.8	12	6	10	15
3"	116	200	160	8 X 18	6.3	12	6	10	15
4"	129	220	180	8 X 18	7.2	12	10	12	15
5"	142	250	210	8 X 18	9.3	16	10	12	15
6"	156	285	240	8 X 22	11.6	16	10	12	15
8"	177	340	295	12 X 22	17.5	20	14	18	15
10"	206	405	355	12 X 26	25.5	20	14	18	15
12"	217	460	410	12 X 26	31.5	20	14	18	15
14"	266	520	470	16 X 26	44.1	25	16	18	15
16"	266	580	525	16 X 30	53.8	25	16	18	15
18"	200	640	585	20 X 30	61	20	12	18	15
20"	200	715	650	20 X 33	82.2	20	12	18	15
24"	250	840	770	20 X 36	120	20	12	18	15

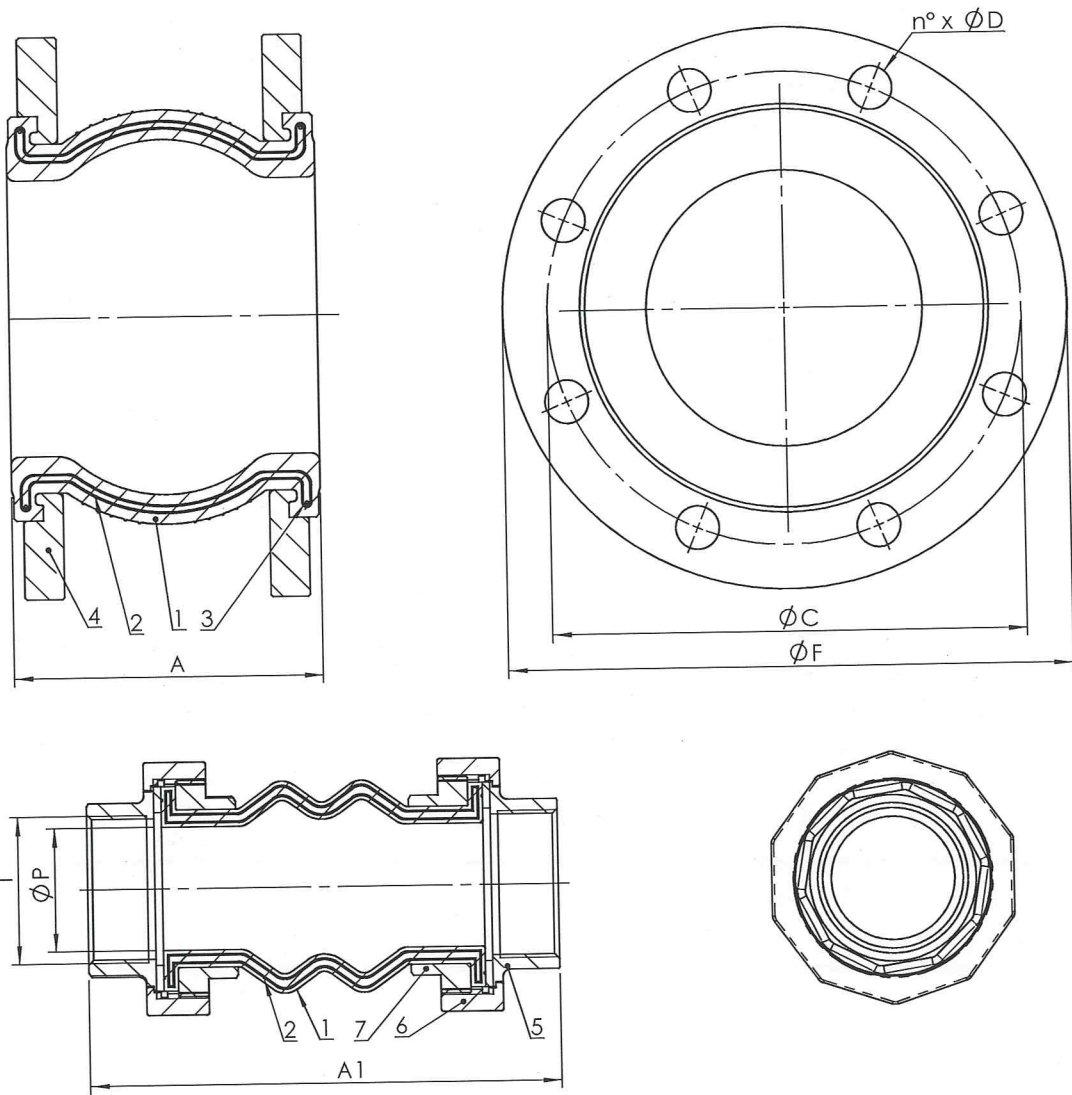
COM = Compression
EXT = Extension
LAT = Lateral Deflection
ANG = Angular Deflection



Drawings on following page

LV 9830
 LV 9832
 LV 9838
 LV 9839

Bellows

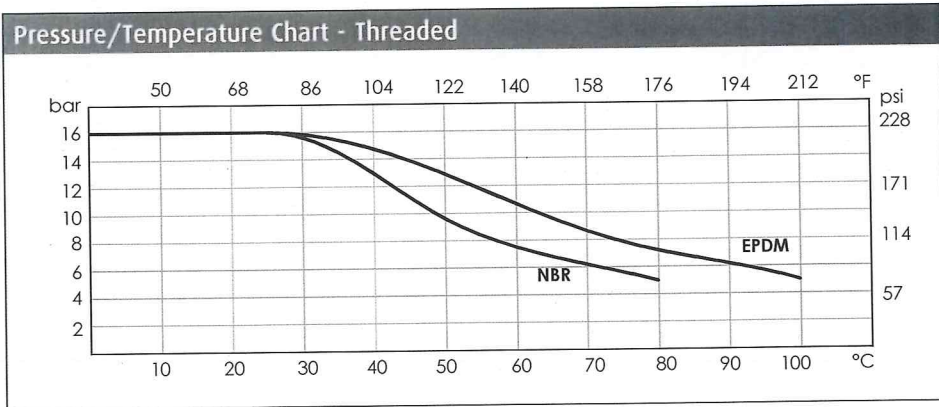
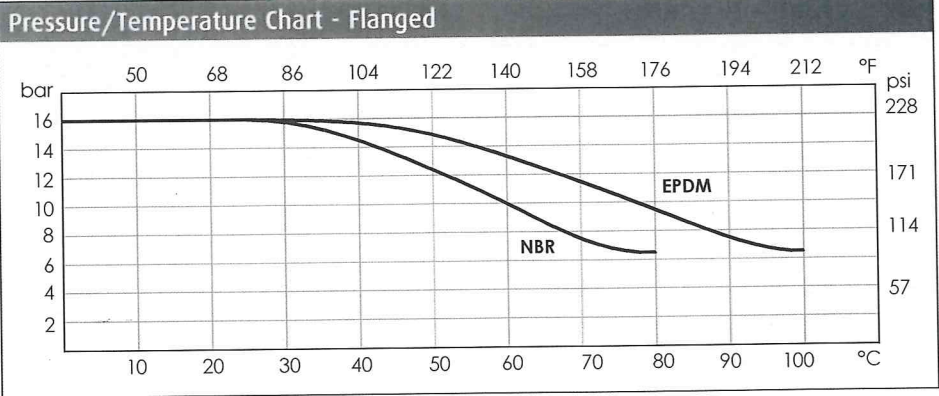


Material List

No	Part	Screwed	Flanged
1	Body	EPDM/NBR	EPDM/NBR
2	Reinforcing Fabric	Nylon	Nylon
3	Retaining Ring		Steel
4	Flange		Galvanised Carbon Steel
5	Union Screw	Galvanised Malleable Iron	
6	Ring Nut	Galvanised Malleable Iron	
7	Union Flange	Galvanised Malleable Iron	

LV 9830
 LV 9832
 LV 9838
 LV 9839

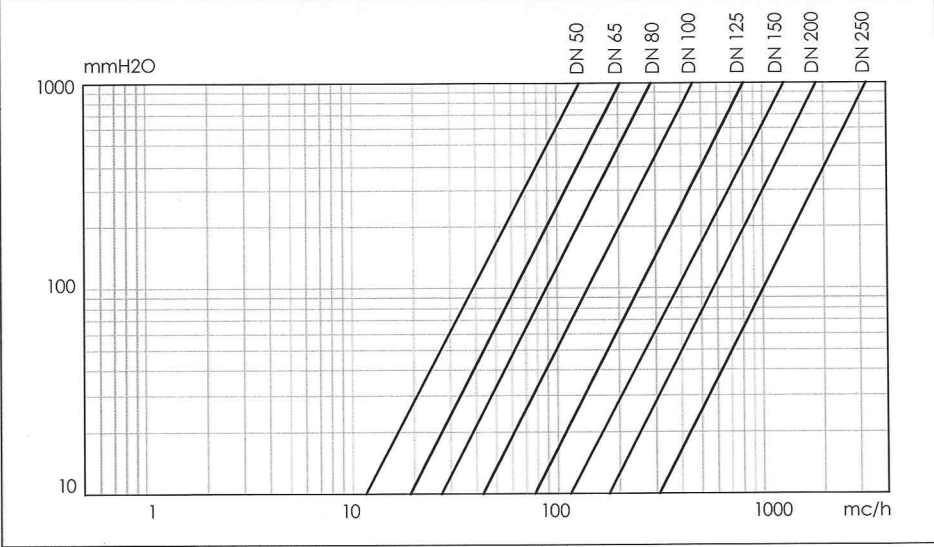
Bellows



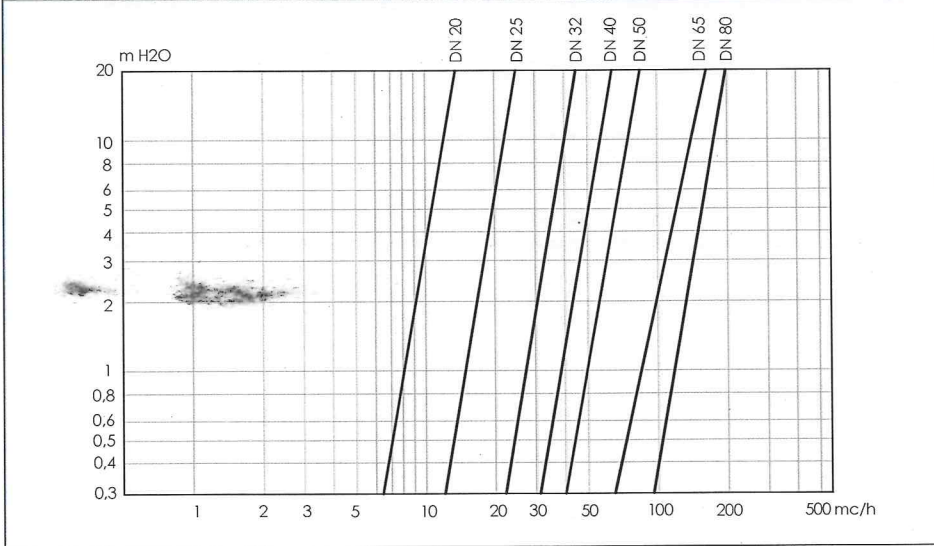
LV 9830
 LV 9832
 LV 9838
 6886

Bellows

Head Loss Chart - Flanged



Head Loss Chart - Threaded



Kv Values												
	¾"	1"	1¼"	1½"	2"	2½"	3"	4"	5"	6"	8"	10"
Flanged	-	-	-	-	435	672	947	1508	2633	4261	5957	10510
Threaded	12	22	40	57	75	140	175	-	-	-	-	-

Note: KV and Headloss information for larger sizes is available on request