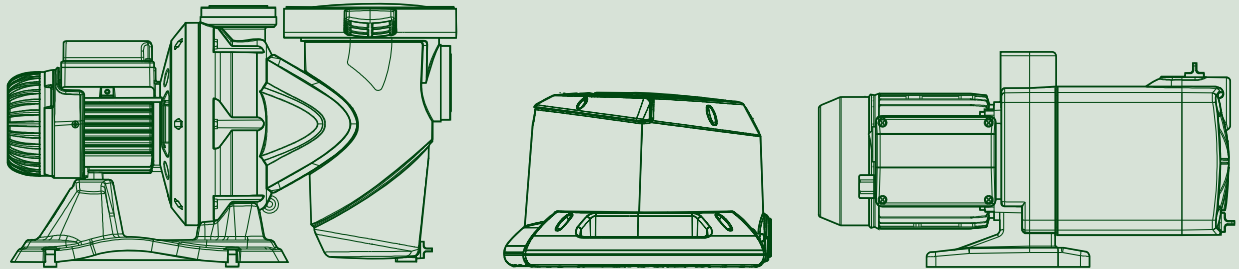




WATER • TECHNOLOGY

# SWIMMING POOL AND SALT WATER PUMPS



# TECHNICAL CATALOGUE

# MULTI 4 SW

## SALT WATER PUMPS



### TECHNICAL DATA

**Operating range:**  
capacity up to 90 l/min; head up to 46 m

**Liquid temperature range:**  
from 0 °C to +35 °C for domestic use  
from 0 °C to +40 °C for other uses

**Pumped liquid:**  
Designed to specifically pump salt water

**Maximum suction capacity:** 8 metres

**Maximum ambient temperature:** +40 °C

**Protection class:** IPX4

**Insulation class:** F

**Installation:** fixed or portable, horizontal position

**Special versions on requests:** alternative voltages and/or frequencies

### APPLICATIONS

Horizontal axis multistage centrifugal pump, self-priming, with great suction capacity also in case of air bubbles, characterised by extremely quiet operation, specifically designed for the circulation of salt water.

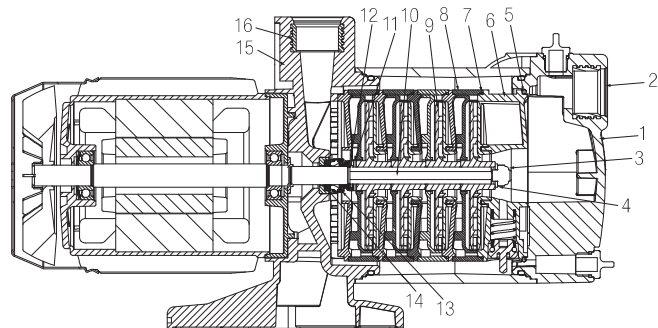
### CONSTRUCTION FEATURES

Technopolymer pump body, motor support, impellers, diffusers and diffuser body. All the metal parts in contact with water are made of AISI 316 stainless steel. Rotor shaft, impeller fastening nut, Silicon carbid and Alox ceramic mechanical seal and AISI 316 stainless steel mechanical parts. Continuous service asynchronous single phase motor. Built-in thermal-amperometric protection and permanently connected capacitor.

### MATERIALS

N.	PARTS*	MATERIALS
1	SUCTION FLANGE	TECHNOPOLYMER
2	INSERT	NICKEL PLATED BRASS
3	NUT	A4 UNI 7474 STAINLESS STEEL
4	WASHER	AISI316 UNI6592 STAINLESS STEEL
5	OR RING	NBR
6	COUNTER FLANGE	TECHNOPOLYMER
7	OR RING	EPDM
8	DIFFUSER	TECHNOPOLYMER
9	IMPELLER	TECHNOPOLYMER
10	ROTOR SHAFT	AISI 316 STAINLESS STEEL UNI EN 10088-1 X5CrNiMo1712-2
11	WASHER	AISI316 UNI6592 STAINLESS STEEL
12	SEEGER RING	AISI 316 STAINLESS STEEL
13	MECHANICAL SEAL	SIC/ALOX/NBR/316/316
14	COUNTER FACE	ALOX/NBR
15	BODY	TECHNOPOLYMER
16	INSERT	NICKEL PLATED BRASS

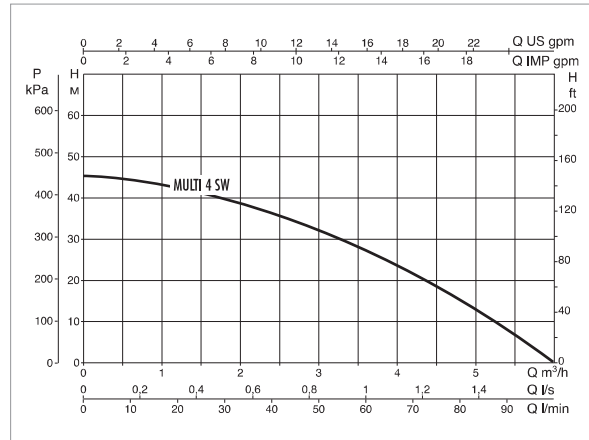
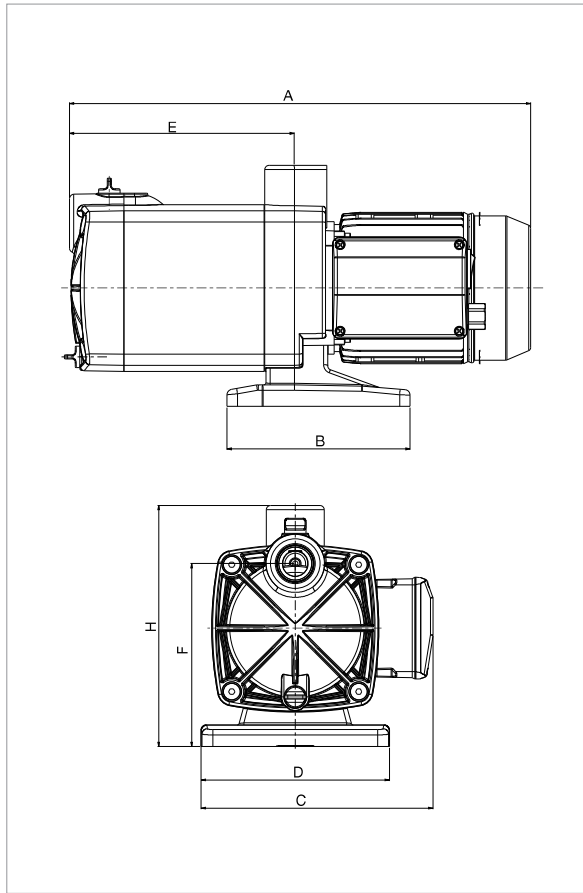
\* In contact with the liquid



# MULTI 4 SW - SALT WATER PUMPS

Pumped liquid temperature range: from 0 °C to +35 °C - Maximum ambient temperature: +40 °C

SALT WATER PUMP



The performance curves are based on kinematic viscosity values = 1 mm<sup>2</sup>/s and density equal to 1000 kg/m<sup>3</sup>. Curve tolerance according to ISO 9906.

MODEL	Q=m <sup>3</sup> /h	0	0,6	1,2	1,8	2,4	3,0	3,6	4,2	4,8	5,4
	Q=l/min	0	10	20	30	40	50	60	70	80	90
<b>MULTI 4 SW M</b>	H (m)	46	45	43	40	38	33	28	22	16	9

MODEL	N. OF IMPELLER	POWER INPUT 50 Hz	P1 MAX KW	ELECTRICAL DATA		In A	CAPACITOR	
				P2 NOMINAL			μF	Vc
				KW	HP			
<b>MULTI 4 SW M</b>	4	1x220-240 V ~	1	0,75	1	4,5	16	450

MODEL	A	B	C	D	E	F	H	DNA GAS	DNM GAS	PACKING DIMENSIONS			WEIGHT Kg
										L/A	L/B	H	
<b>MULTI 4 SW M</b>	430	170	215	175	209	170	224	1"	1"	460	230	270	10,6

**DAB**  
PUMPS SELECTOR

On-line product selection



 **DAB PUMPS LTD.**  
6 Gilberd Court  
Newcomen Way  
Severalls Business Park  
Colchester  
Essex  
CO4 9WN - UK  
salesuk@dwtgroup.com  
Tel. +44 0333 777 5010

 **DAB PUMPS IBERICA S.L.**  
Calle Verano 18-20-22  
28850 - Torrejón de Ardoz - Madrid  
Spain  
Info.spain@dwtgroup.com  
Tel. +34 91 6569545  
Fax: + 34 91 6569676

 **DAB PUMPS SOUTH AFRICA (PTY) LTD**  
Twenty One Industrial Estate,  
16 Purlin Street, Unit B, Warehouse 4  
Olifantsfontein - 1666 - South Africa  
info.sa@dwtgroup.com  
Tel. +27 12 361 3997

 **DAB PUMPS BV**  
"Hofveld 6 C1  
1702 Groot Bijgaarden - Belgium  
info.belgium@dwtgroup.com  
Tel. +32 2 4668353

 **DAB PUMPS HUNGARY KFT.**  
H-8800  
Nagykanizsa, Buda Ernő u.5  
Hungary  
Tel. +36 93501700

 **DAB PUMPS (QINGDAO) CO, LTD.**  
No.40 Kaituo Road, Qingdao Economic & Technological  
Development Zone  
Qingdao City, Shandong Province - China  
PC: 266500  
sales.cn@dwtgroup.com  
Tel. +86 400 186 8280  
Fax +86 53286812210

 **DAB PUMPS B.V.**  
Albert Einsteinweg, 4  
5151 DL Drunen - Nederland  
info.netherlands@dwtgroup.com  
Tel. +31 416 387280  
Fax +31 416 387299

 **DAB PUMPS POLAND Sp. z o.o.**  
Ul. Janka Muzykanta 60  
02-188 Warszawa - Poland  
polska@dabpumps.com.pl

 **DAB PUMPS DE MÉXICO, S.A. DE C.V.**  
Av Amsterdam 101 Local 4  
Col. Hipódromo Condesa,  
Del. Cuauhtémoc CP 06170  
Ciudad de México  
Tel. +52 55 6719 0493

 **DAB PUMPS GMBH**  
Am Nordpark 3  
D - 41069 Mönchengladbach - Germany  
info.germany@dwtgroup.com  
Tel. +49 2161 47388-0  
Fax +49 2161 47388-36

 **OOO DAB PUMPS**  
Novgorodskaya str. 1, block G  
office 308, 127247, Moscow - Russia  
info.russia@dwtgroup.com  
Tel. +7 495 122 0035  
Fax +7 495 122 0036

 **DAB PUMPS OCEANIA PTY LTD**  
426 South Gippsland Hwy,  
Dandenong South VIC 3175 - Australia  
info.oceania@dwtgroup.com  
Tel. +61 1300 373 677

 **DAB PUMPS INC.**  
3226 Benchmark Drive  
Ladson, SC 29456 - USA  
info.usa@dwtgroup.com  
Tel. 1- 843-797-5002  
Fax 1-843-797-3366

 **PT DAB PUMPS INDONESIA**  
Satrio Tower lantai 26  
unit C-D, Jl. Prof. Dr. Satrio Kav. C4,  
Kel. Kuningan Timur, Kec. Setiabudi, Kota Adm.  
Jakarta Selatan, Prov. DKI Jakarta. - Indonesia  
Tel. +62 2129222850